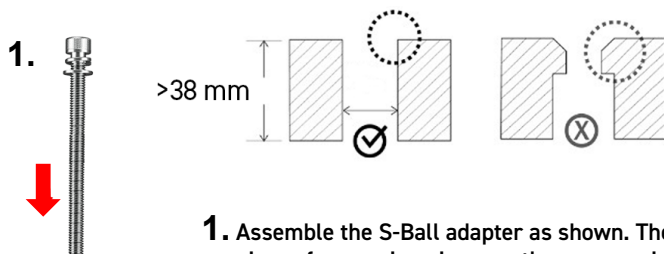
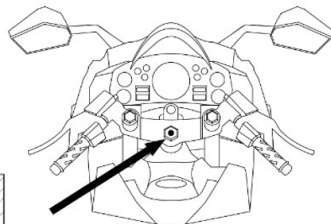


S-BALL STEERING NECK HOLE ADAPTER installation manual

The S-Ball adapter can be installed in a straight round or hexagonal steering neck hole measuring 12 - 25.4 mm with a minimum depth of 38 mm. The S-Ball cannot be installed in a hole with an overhanging or beveled edge.

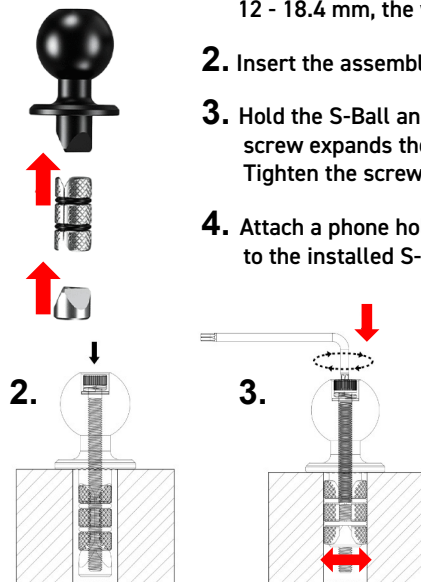


1. Assemble the S-Ball adapter as shown. The package comes with two sizes of expansion pins, use the narrow pin when installing in a hole of 12 - 18.4 mm, the wider pin when installing in a hole of 18.5 - 25.4 mm.

2. Insert the assembled S-Ball into the hole in the steering neck.

3. Hold the S-Ball and tighten the screw with an Allen key. Tightening the screw expands the pin inside the hole and secures the S-Ball. Tighten the screw so that the S-Ball is firmly held inside the hole.

4. Attach a phone holder or other compatible SEFIS accessories to the installed S-Ball.



4.

