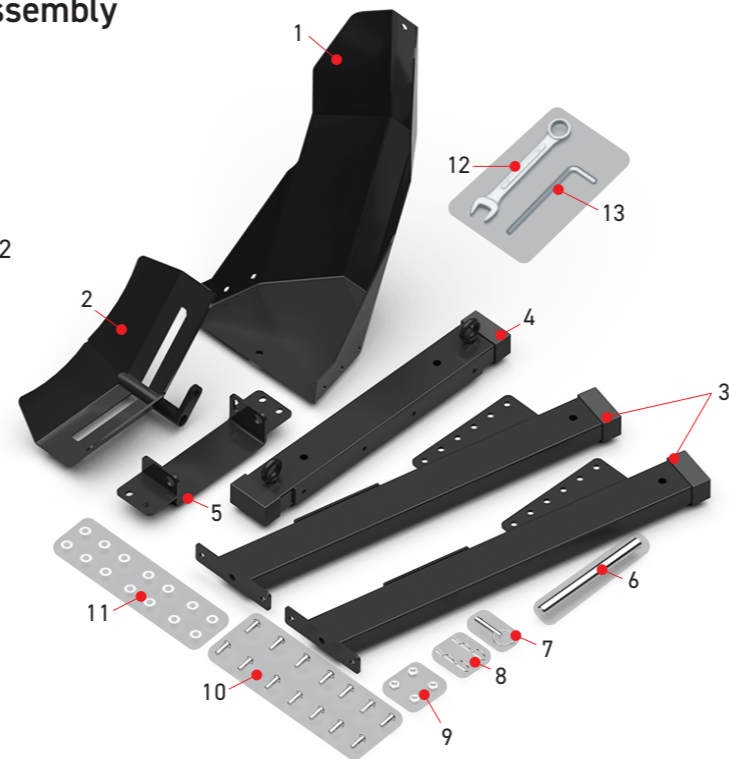




## 1. Contents and assembly

### Package contents:

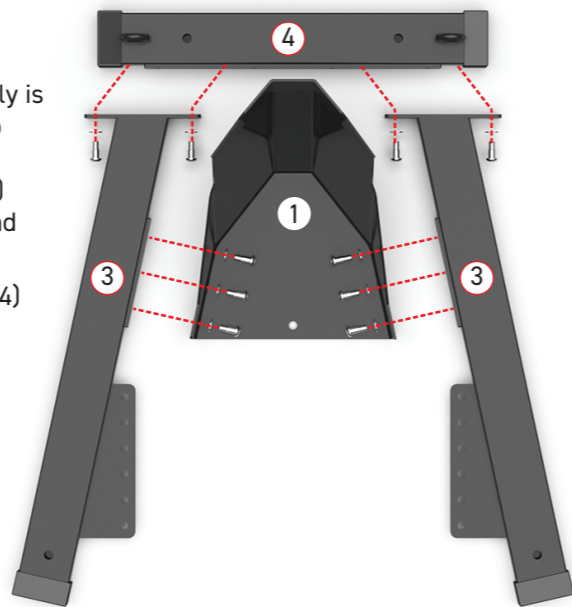
1. **Stand body** x1
2. **Wheel cradle** x1
3. **Left and right leg** x2
4. **Front leg** x1
5. **Cradle mount** x1
6. **Axle** x1
7. **Locking pin** x1
8. **Splint pin** x2
9. **Nut M8/13** x4
10. **Screw M8x20** x14
11. **Washer M8** x14
12. **Wrench 13** x1
13. **Allen key 5** x1



### Body assembly:

The paddock stand is delivered disassembled and basic assembly is required. Follow the blueprint to attach the **Left and right legs**(3) of the stand to the **Stand body**(1) using three of the **Screws**(10) and **Washers**(11) on each side.

Afterwards attach the **Front leg**(4) using four more **Screws**(10) and **Washers**(11).

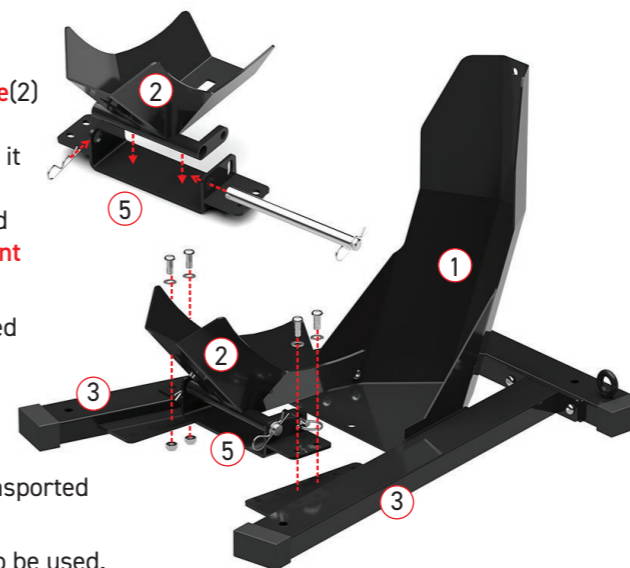


### Wheel cradle placement:

During first use the **Wheel cradle**(2) needs to be assembled as well. Take the **Wheel cradle**(2), place it into the **Cradle mount**(5) and insert the **Axle**(6). Once inserted secure the **Axle**(6) with the **Splint pins**(8) on both sides.

Afterwards attach the assembled cradle to the stand body using the remaining **Screws**(10), **Washers**(11) and **Nuts**(9). The cradle placement is dependent on wheel size of transported motorcycle.

Transport Stand is now ready to be used. Keep in mind that if used to transport motorcycle with different front wheel size the cradle position needs to be re-adjusted again.



## 2. Use of the transport stand C20

Once set up drive the front wheel of the motorcycle into the transport stand which will flip the wheel cradle to hold the wheel.

**Warning:** Once the motorcycle had been driven in and the cradle flips it is necessary to lock the cradle with the **locking pin**(7)

The locking pin has to be inserted in the hole on the cradle mount as depicted on the picture to prevent the cradle movement.



## 3. Warning

It is necessary to secure the motorcycle during the transport. Transporting unsecured motorcycle might result in damage to the motorcycle, the transport stand, transporting vehicle or injury of the driver or the passengers. We recommend always securing the motorcycle using ratchet straps attached to the transport vehicle.

The transport stand C20 can also be attached to the floor of the transport vehicle permanently using the mounting holes in the legs of the stand. Once the transport stand is firmly attached to the vehicle the strap loops on the legs of the stand can also be used to secure the motorcycle during transport.

Prior to the use always inspect technical condition of the transport stand. Keep out of reach of children.

