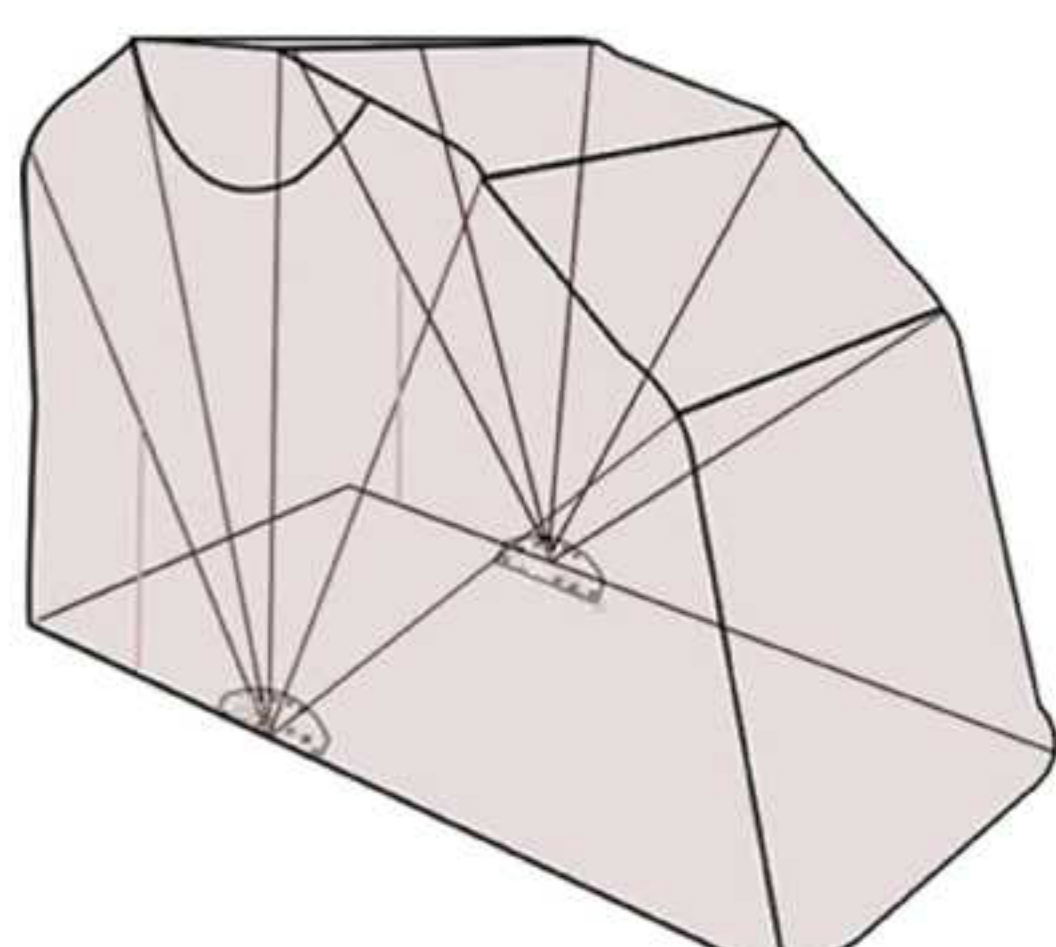
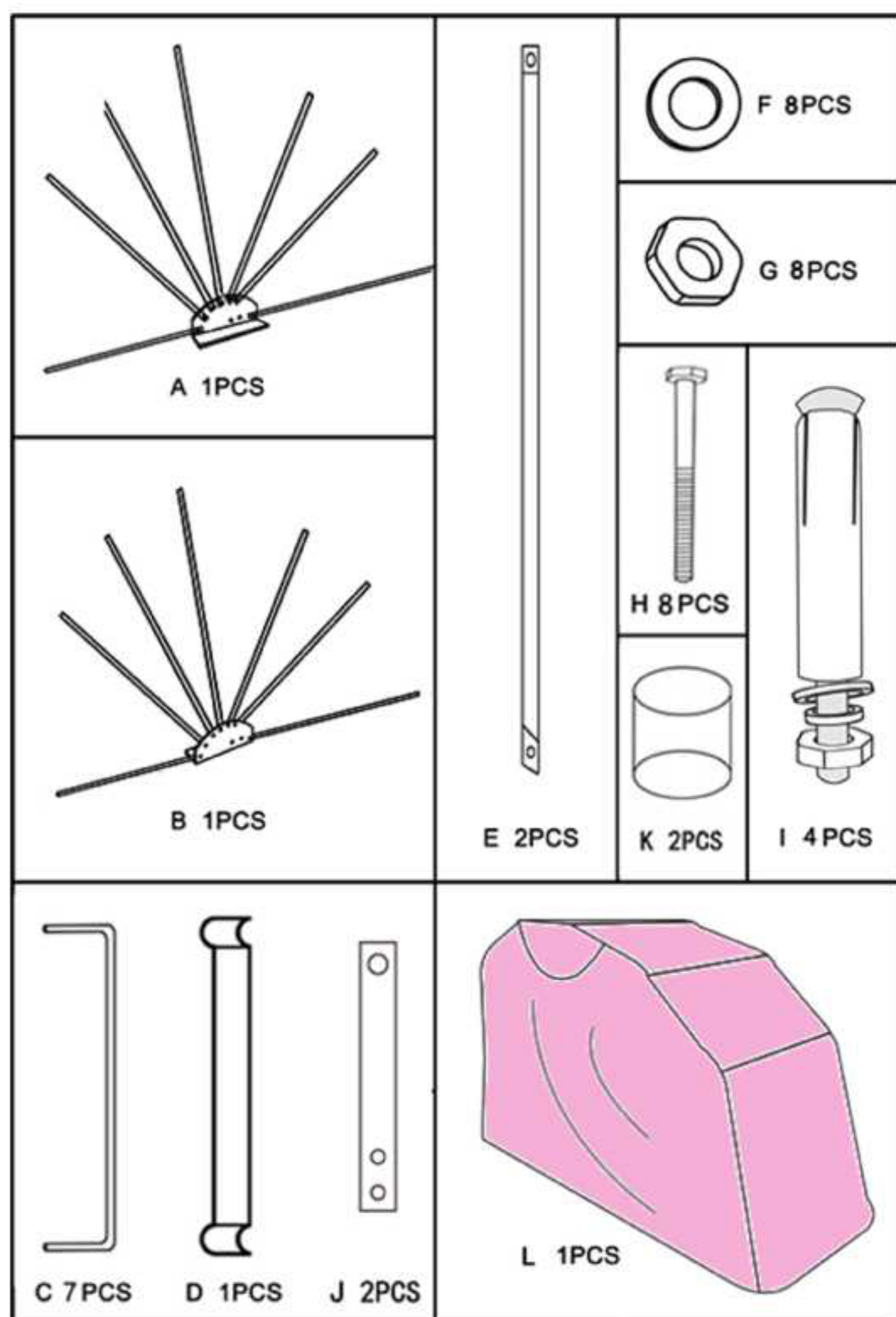


Manual for Motorcycle Shelter (M,L)

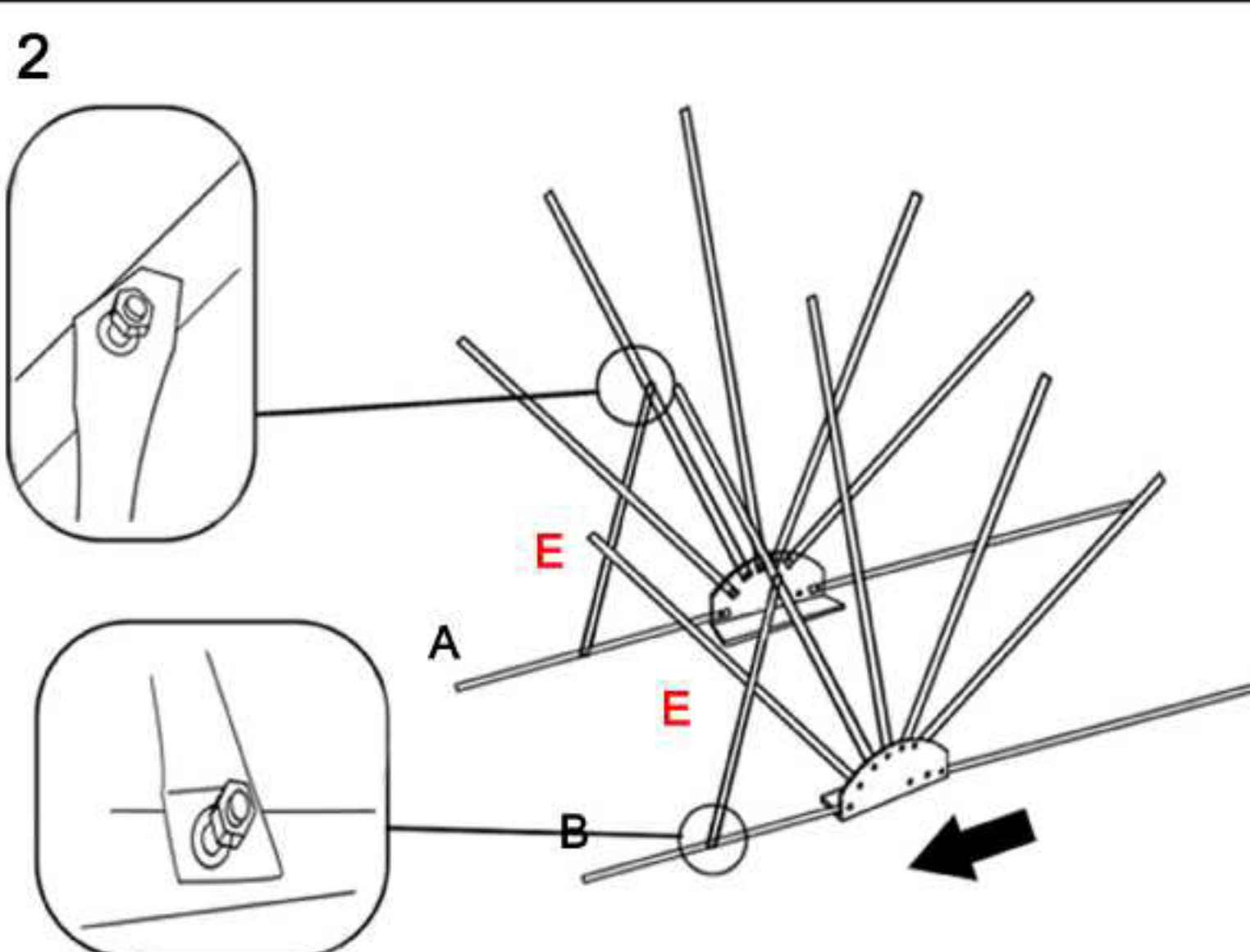
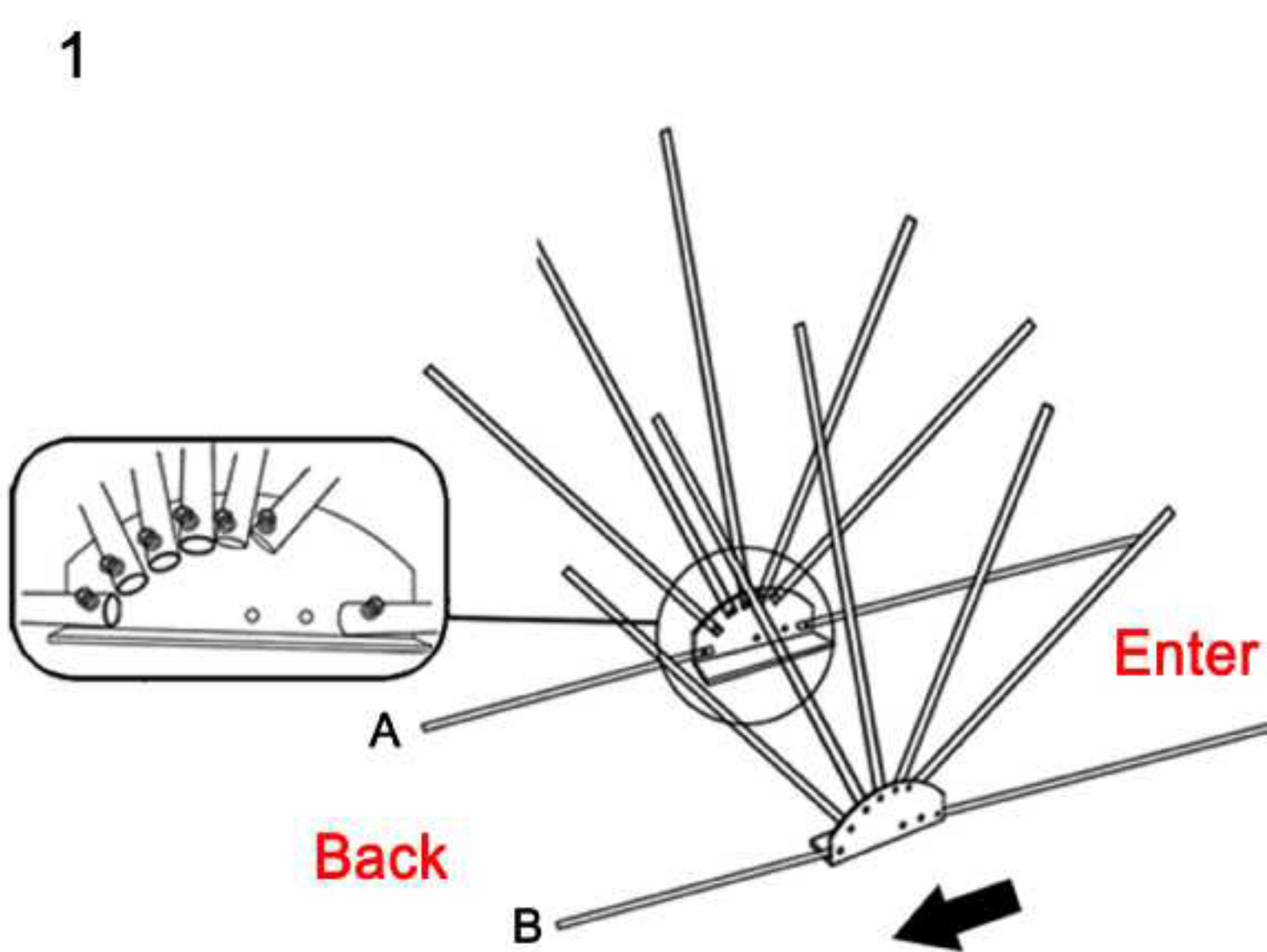
Congratulations on purchasing the latest version of Motorcycle Shelter that is designed to keep your ride clean and safe.



The Motorcycle Shelter comes partially assembled, so it takes only minutes to complete. Start by checking the various components listed in the right chart to familiarize yourself with the parts and make sure that you have all of them.

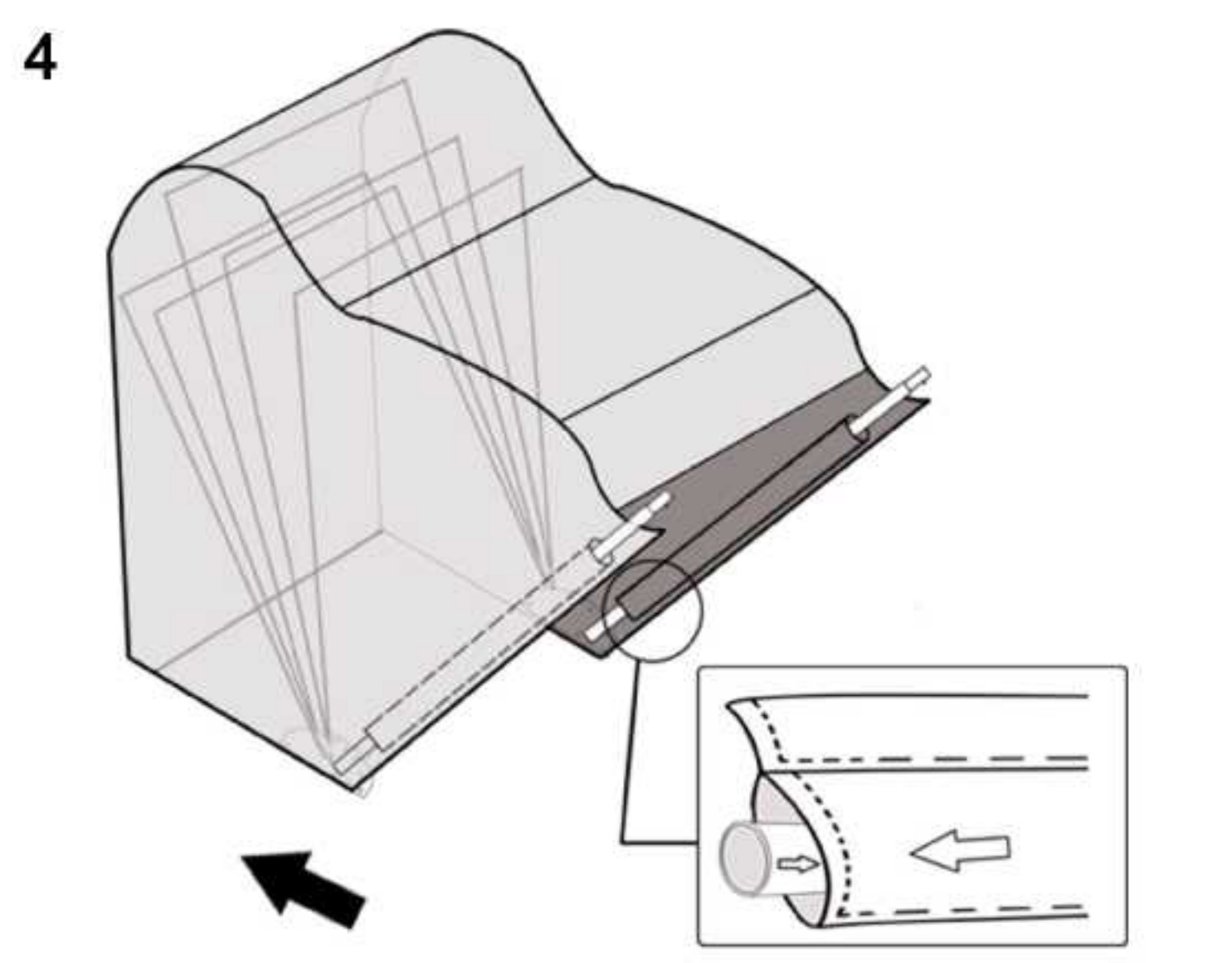
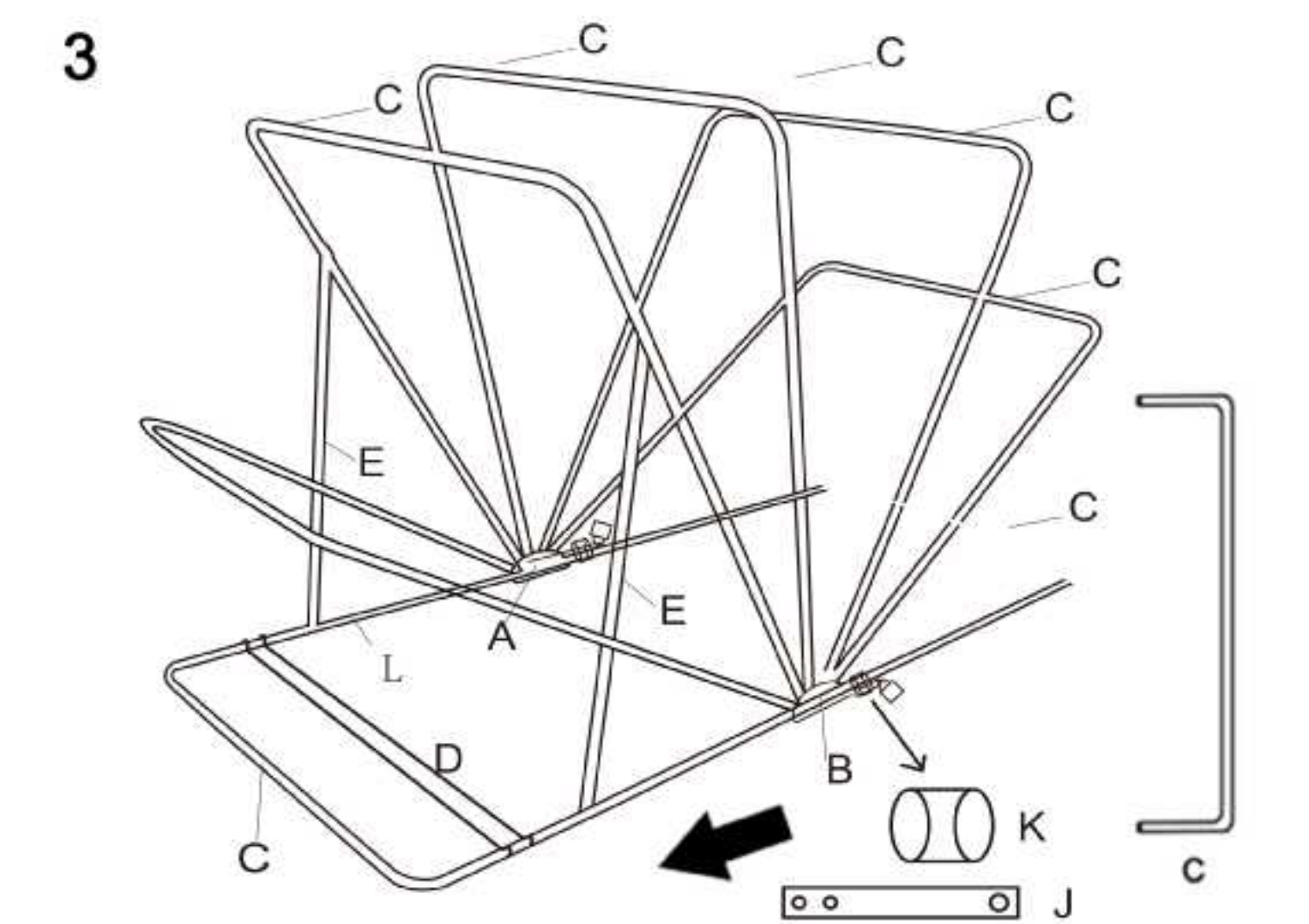


Step 1
Lay assembly A on your right and B on your left with the shortest tubes pointing in front of you and ribs laying fanned out on the floor.



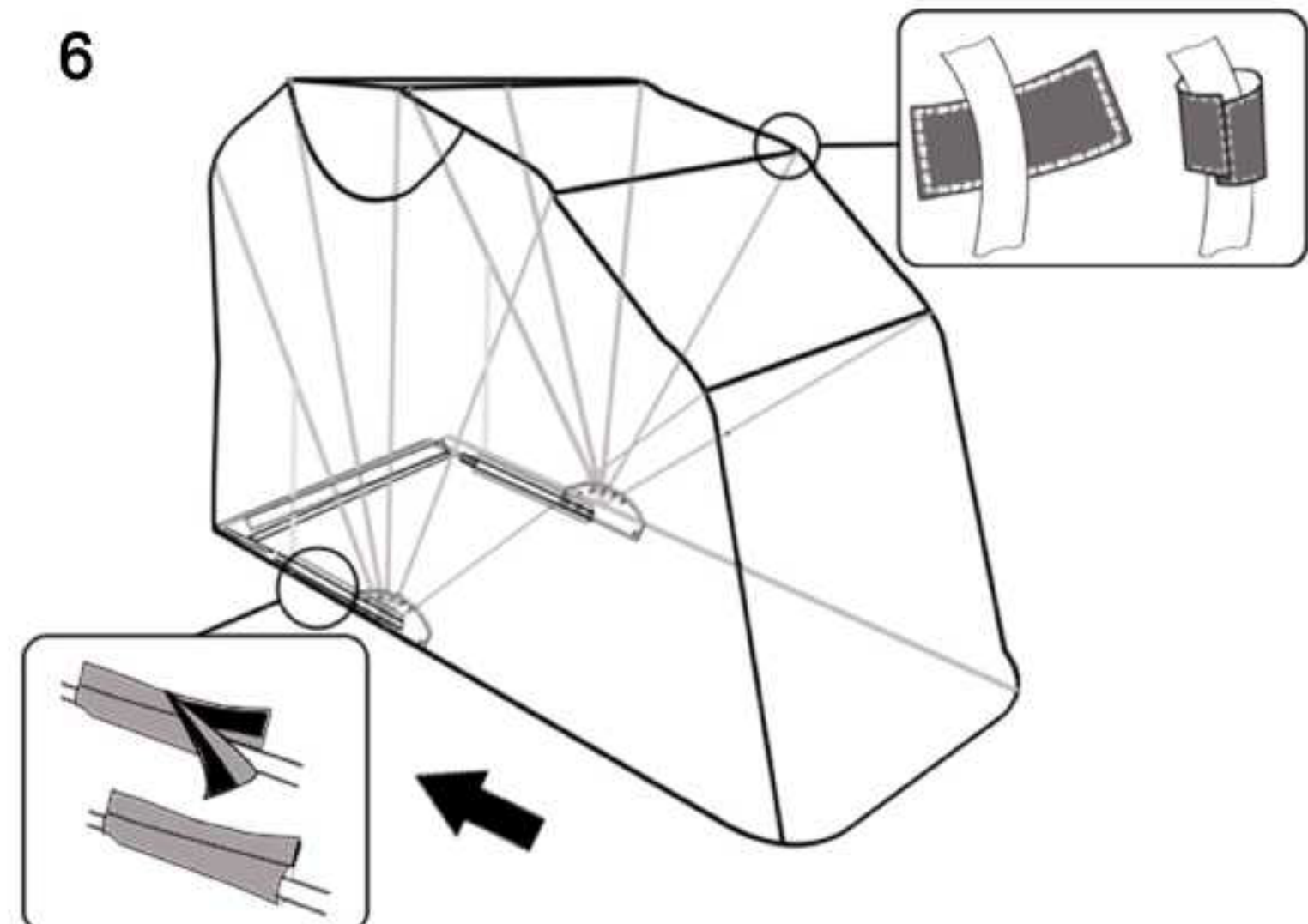
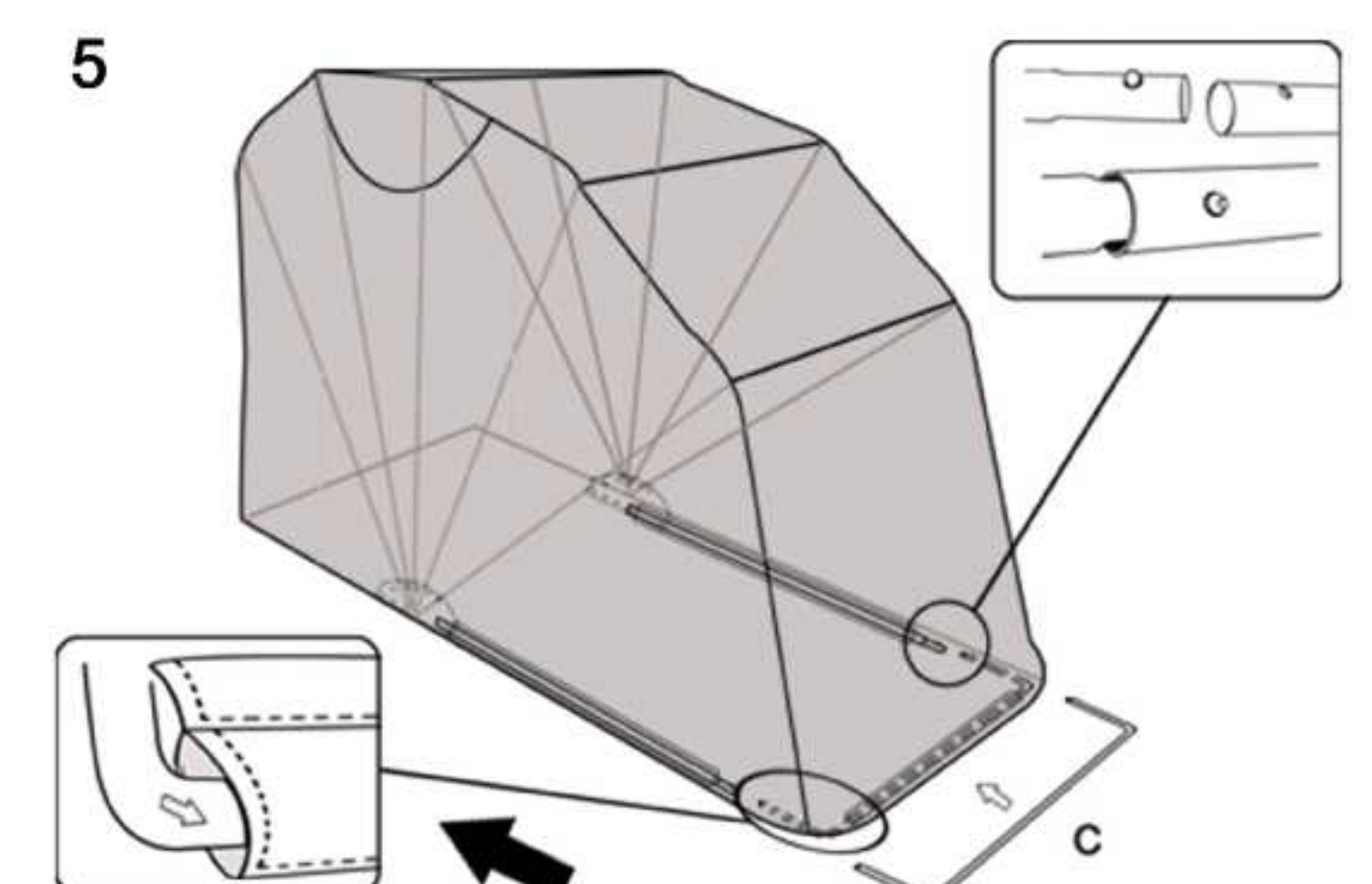
Step 2
Connect the E tubes on to the A&B parts with angled ends on upper rib using F,G & H fasteners.

Step 3
Connect D. Then lift the assemblies with all ribs and connect C across the A & B frames. Leave the last C tube uninstalled for this step as the picture shows.



Step 4
Check to ensure that the tent cover is spread in the right direction. Let the 2 unconnected tubes pass through ground sleeves of the cover.

Step 5
Let the last C tube pass through the ground sleeve of the cover and connect it with assembly A and B.



Step 6
Fold the cover backwards over the frame, wrap the velcros around the ribs as appropriate, and tidy up the whole tent.

Secure the frame

Weights can be placed on the flat bar connected to the D plate. Bolts can be used to fasten the swivel plates of A & B to concrete or other firm surface.

Fold Down and Storage

The Motor tent is designed to fold down for storage as needed. While the Motor tent is still fully assembled, remove the bolts for the A frame and take out the H tubes. The motor tent can then collapse closed pivoting on the A and B base assemblies. Tie the ribs together at the top and then you can easily move it around.

We wish you many years of quality motorcycle storage with your Motorcycle shelter.